



**DELİK TORNA TAKIMLARI**  
INTERNAL TURNING  
TOOLHOLDERS

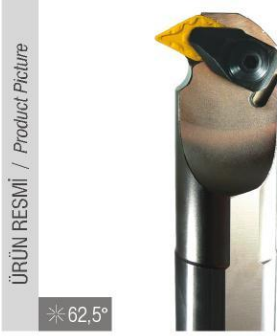


**TIMAXIP**

[www.timaxip.com](http://www.timaxip.com)  
[www.bahcevanmakine.com](http://www.bahcevanmakine.com)

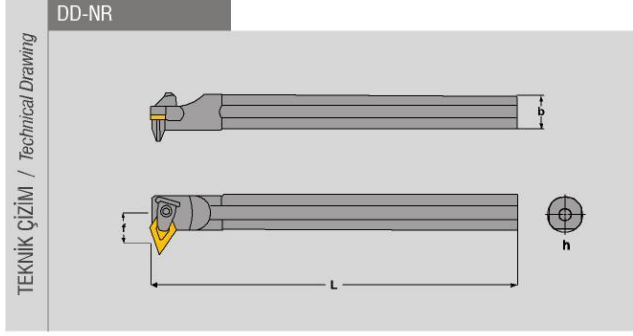


## D-SİSTEM DELİK TORNA KATERİ / D System Boring Bars



ÜRÜN RESMİ / Product Picture

\*62,5°



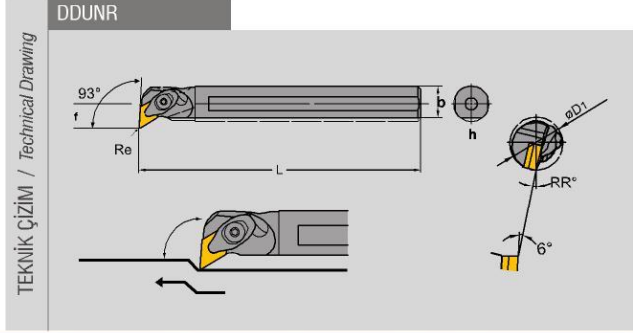
TEKNİK ÇİZİM / Technical Drawing

TAKIM KOD NO / ordering code	KATER ÖLÇÜLERİ dimension (mm)	KESİCİ UÇ insert	YEDEK PARÇALARI / spare parts					
			BASKI PARÇASI wedge clamp	BASKI VIDASI screw	ALTUK shim	ALTUK VIDASI shim screw	YAY spring	ANAHTAR shim key
S32U DD-NR 15	h: 32, b: 30, L: 300, f: 22, Dmin: 44							
S40V DD-NR 15	h: 40, b: 37, L: 350, f: 27, Dmin: 54	DNM.15.06..	BDBP 04	BDBV M.6	BDT 9979	BAV M.3	BY 6X8	AA 3
S50W DD-NR 15	h: 50, b: 47, L: 420, f: 36, Dmin: 67							



ÜRÜN RESMİ / Product Picture

\*93°



TEKNİK ÇİZİM / Technical Drawing

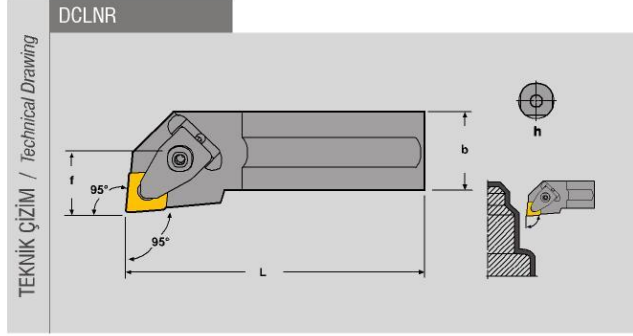
TAKIM KOD NO / ordering code	KATER ÖLÇÜLERİ dimension (mm)	KESİCİ UÇ insert	YEDEK PARÇALARI / spare parts					
			BASKI PARÇASI wedge clamp	BASKI VIDASI screw	ALTUK shim	ALTUK VIDASI shim screw	YAY spring	ANAHTAR shim key
S25S DDUNR/L 15	h: 25, b: 23, L: 250, f: 17, Dmin: 32							
S32T DDUNR/L 15	h: 32, b: 30, L: 300, f: 22, Dmin: 40	DNM.15.06..	BDBP 04	BDBV M.6	BDT 9979	BAV M.3	BY 6X8	AA 3
S40V DDUNR/L 15	h: 40, b: 37, L: 350, f: 27, Dmin: 50							
S50W DDUNR/L 15	h: 50, b: 47, L: 420, f: 35, Dmin: 63							

www.timaxip.com | www.bahçivanmekine.com

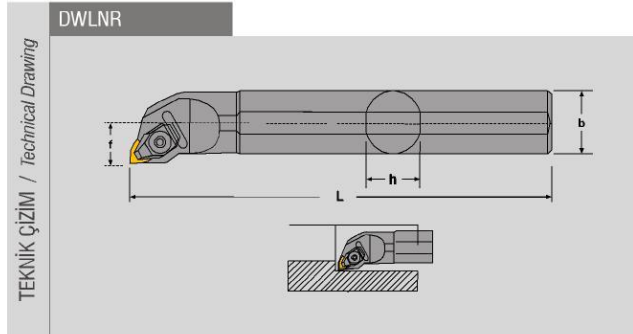
**TIMAXIP**

20





TAKIM KOD NO / ordering code	KATER ÖLÇÜLERİ dimension (mm)	KESİCİ UÇ insert	YEDEK PARÇALARI / spare parts					
			BASKI PARÇASI wedge clamp	BASKI VIDASI screw	ALTLIK shim	ALTLIK VIDASI shim screw	YAY spring	ANAHTAR allen key
	h b L f Dmin							
S20R DCLNR/L 12	20 18 200 13 25	CNM.12.04..	BDBP 04	BDBV M.6	BDT 1970	BAV M.5	BY 6X8	AA 3
S25S DCLNR/L 12	25 23 250 17 32							
S32T DCLNR/L 12	32 30 300 22 40							
S40V DCLNR/L 12	40 37 350 27 50							
S50W DCLNR/L 12	50 47 420 35 63							



TAKIM KOD NO / ordering code	KATER ÖLÇÜLERİ dimension (mm)	KESİCİ UÇ insert	YEDEK PARÇALARI / spare parts					
			BASKI PARÇASI wedge clamp	BASKI VIDASI screw	ALTLIK shim	PİM Pin	YAY spring	ANAHTAR allen key
	h b L f Dmin							
S25S DWLNR/L 08	25 23 250 17 32	WNM.08.04..	BDBP 04	BDBV M.6	BDT 15 T 4680	BAV M.5	BY 6x8	AA 3
S32T DWLNR/L 08	32 30 300 22 40							
S40V DWLNR/L 08	40 37 350 27 50							
S50W DWLNR/L 08	50 47 420 35 63							

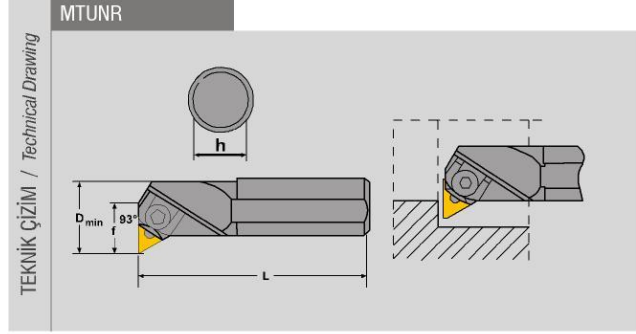


M-SİSTEM DELİK TORNA KATERİ / M System Boring Bars



ÜRÜN RESMİ / Product Picture

\*93°



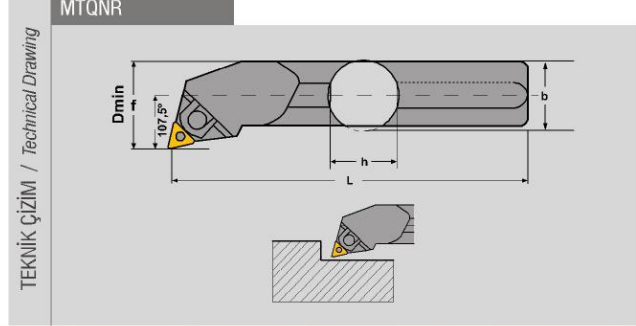
TEKNİK ÇİZİM / Technical Drawing

TAKIM KOD NO / ordering code		KATER ÖLÇÜLERİ dimension (mm)					KESİCİ UÇ insert	YEDEK PARÇALARI / spare parts					
		h	b	L	f	Dmin		BASKI PARÇASI wedge clamp	BASKI VİDASI screws	ALTUK shim	PİM Pin	YAY spring	ANAHTAR Allen key
S20R	MTUNR/L 16	20	18	200	13	25	TNM.16 04..	BMBP 05	BMBV M5	-	BMMP 05	BYM 06	AA 4
S25S	MTUNR/L 16	25	23	250	17	32	TNM.16 04..	BMBP 05	BMBV M5	BMT 1677	BMMP 05	BYM 06	AA 4
S32T	MTUNR/L 16	32	30	300	22	40							
S25S	MTUNR/L 22	25	23	250	22	32							
S32T	MTUNR/L 22	32	30	300	22	40							
S40U	MTUNR/L 22	40	37	350	27	50	TNM.22 04..	BMBP 06	BMBV M6	BMT 22 0949	BMMP 06	BYM 06	AA 3
S50W	MTUNR/L 22	50	47	420	35	63							



ÜRÜN RESMİ / Product Picture

\*107,5°



TEKNİK ÇİZİM / Technical Drawing

TAKIM KOD NO / ordering code		KATER ÖLÇÜLERİ dimension (mm)					KESİCİ UÇ insert	YEDEK PARÇALARI / spare parts					
		h	b	L	f	Dmin		BASKI PARÇASI wedge clamp	BASKI VİDASI screws	ALTUK shim	PİM Pin	YAY spring	ANAHTAR Allen key
S25S	MTQNR/L 16	25	23	250	17	32	TNM.16 04..	BMBP 05	BMBV M5	BMT 16 1677	BMMP 05	BYM 06	AA 4
S32T	MTQNR/L 16	32	30	300	22	40							
S25S	MTQNR/L 22	25	23	250	17	32							
S32U	MTQNR/L 22	32	30	300	22	40	TNM.22 04..	BMBP 06	BMBV M6	BMT 22 0949	BMMP 06	BYM 06	AA 3
S40V	MTQNR/L 22	40	37	350	27	50							
S50W	MTQNR/L 22	50	47	450	35	63							

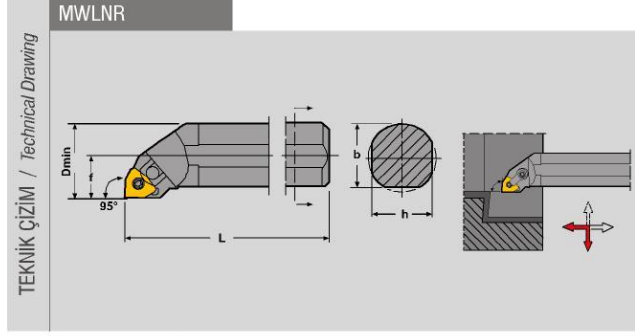
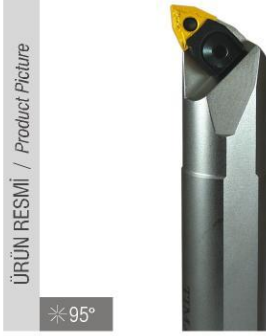
www.timaxip.com | www.bahçivanmekine.com

TIMAXIP

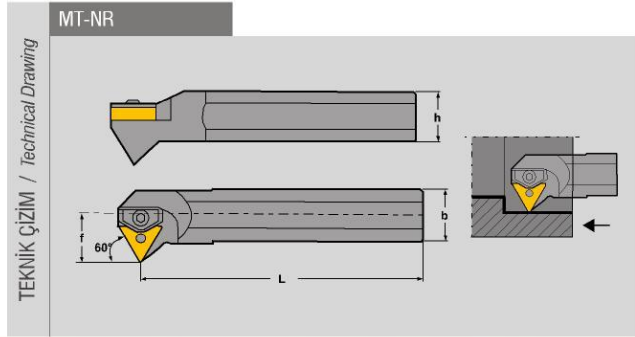
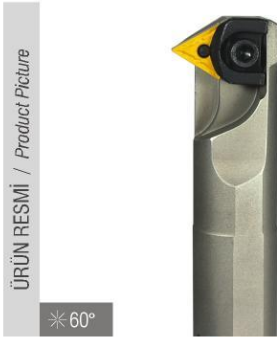
22







TAKIM KOD NO / ordering code	KATER ÖLÇÜLERİ dimension (mm)					KESİCİ UÇ insert	YEDEK PARÇALARI / spare parts					
	h	b	L	f	Dmin		BASKI PARÇASI wedge clamp	BASKI VIDASI screw	ALTLIK shim	PİM Pin	YAY spring	ANAHTAR allen key
S25S MWLNLR/L 08	25	23	250	17	32	WNM.08 04..						
S32T MWLNLR/L 08	32	30	300	22	40							
S40V MWLNLR/L 08	40	37	350	27	50							
S50W MWLNLR/L 08	50	47	420	35	63							
							BMBP 07	BDBV M6	BDT 08 4680	BMP 06	BMV 6x8	AA 3



TAKIM KOD NO / ordering code	KATER ÖLÇÜLERİ dimension (mm)					KESİCİ UÇ insert	YEDEK PARÇALARI / spare parts					
	h	b	L	f	Dmin		BASKI PARÇASI wedge clamp	BASKI VIDASI screw	ALTLIK shim	PİM Pin	YAY spring	ANAHTAR allen key
S25S MT-NR/L 16	25	23	250	17	32	TNM.16 04..						
S32T MT-NR/L 16	32	30	300	22	40							
S40V MT-NR/L 22	40	37	350	27	50	TNM.22 04..						
S50W MT-NR/L 22	50	47	420	35	63							
							BMBP 05	BMBV M5	BMT 16 1677	BMMP 05	BMV 06	AA 4
							BMBP 06	BMBV M6	BMT 22 0949	BMMP 06	BMV 06	AA 3

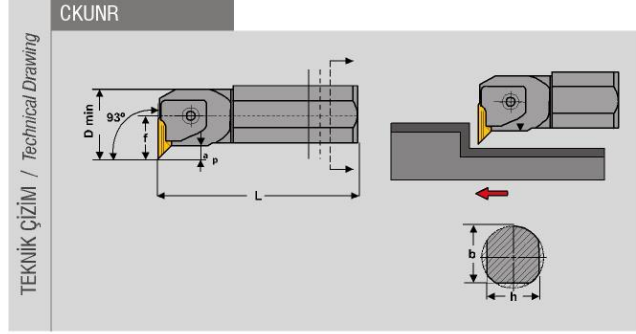


## C-SİSTEM DELİK TORNA KATERİ / C System Boring Bars



ÜRÜN RESMİ / Product Picture

\*93°



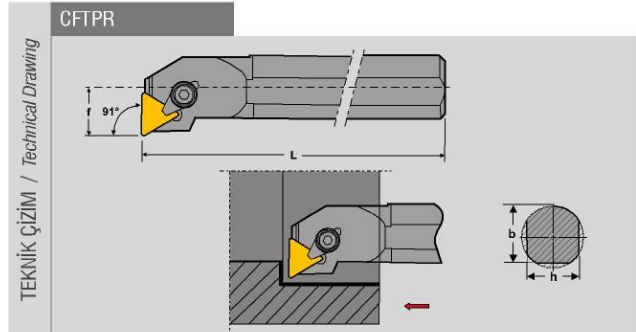
TEKNİK ÇİZİM / Technical Drawing

TAKIM KOD NO / ordering code		KATER ÖLÇÜLERİ dimension (mm)					KESİCİ UÇ insert	YEDEK PARÇALARI / spare parts						
		h	b	L	f	Dmin		BASKI PARÇASI wedge clamp	BASKI VİDASI screw	ALTUK shim	PİM Pin	YAY spring	ANAHTAR Allen key	
S25S	CKUNR/L	16	25	23	250	17	32	KNUX 16 R/L						
S28U	CKUNR/L	16	28	26	290	19	38							
S32T	CKUNR/L	16	32	30	330	22	40							
S40V	CKUNR/L	16	40	37	400	27	50							
S50W	CKUNR/L	16	50	47	420	35	63							



ÜRÜN RESMİ / Product Picture

\*91°



TEKNİK ÇİZİM / Technical Drawing

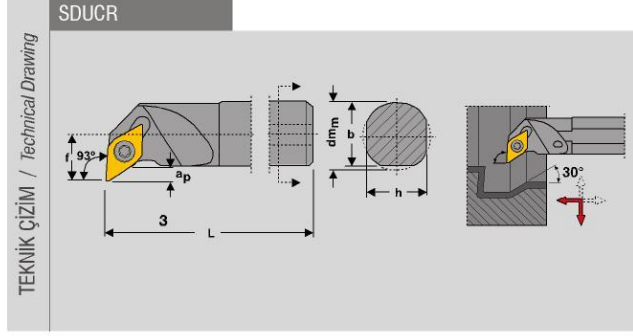
TAKIM KOD NO / ordering code		KATER ÖLÇÜLERİ dimension (mm)					KESİCİ UÇ insert	YEDEK PARÇALARI / spare parts						
		h	b	L	f	Dmin		BASKI PARÇASI wedge clamp	BASKI VİDASI screw	ALTUK shim	ALTUK VİDASI shim screw	YAY spring	ANAHTAR Allen key	
S12Q	CTFPR/L	11	12	11	125	9	16	TB 16 03..						
S16R	CTFPR/L	16	16	15	180	11	20							
S20R	CTFPR/L	16	20	18	190	13	25							
S25S	CTFPR/L	16	25	23	250	17	32							
S25S	CTFPR/L	22	25	23	250	22	32	TB 22 04..						
S32U	CTFPR/L	22	32	30	300	27	40							

www.timaxip.com | www.bahcivanmekine.com

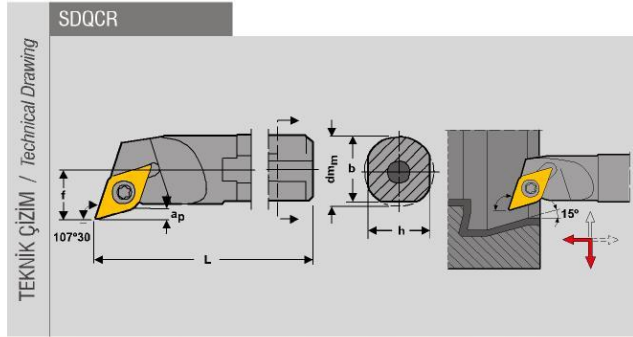
TIMAXIP

24





TAKIM KOD NO / ordering code	KATER ÖLÇÜLERİ dimension (mm)	KESİCİ UÇ insert	YEDEK PARÇALARI / spare parts			
			SIKMA VIDASI clamping screw	ALTLIK shim	ALTLIK VIDASI shim screw	TORK ANAHTAR torque allen key
S10J SDUCR/L 07	h: 10, b: 9, L: 120, f: 7, Dmin: 13	DCM. 07..	BSSV 256	-	-	T 08
S12K SDUCR/L 07	h: 12, b: 11, L: 125, f: 9, Dmin: 16					
S16Q SDUCR/L 07	h: 16, b: 15, L: 180, f: 11, Dmin: 20					
S16Q SDUCR/L 11	h: 16, b: 15, L: 180, f: 11, Dmin: 20	DCM. 11..	BSSV 3511	-	-	T 15
S20R SDUCR/L 11	h: 20, b: 18, L: 190, f: 13, Dmin: 25					
S25R SDUCR/L 11	h: 25, b: 23, L: 200, f: 27, Dmin: 32					
S32T SDUCR/L 11	h: 32, b: 30, L: 300, f: 22, Dmin: 40	DCM. 11..	BSSV 3511	BSA 11 1976	BAV M5	T 15



TAKIM KOD NO / ordering code	KATER ÖLÇÜLERİ dimension (mm)	KESİCİ UÇ insert	YEDEK PARÇALARI / spare parts			
			SIKMA VIDASI clamping screw	ALTLIK shim	ALTLIK VIDASI shim screw	TORK ANAHTAR torque allen key
S10J SDQCR/L 07	h: 10, b: 9, L: 120, f: 7, Dmin: 13	DCM. 07..	BSSV 256	-	-	T 08
S12K SDQCR/L 07	h: 12, b: 11, L: 125, f: 9, Dmin: 16					
S16Q SDQCR/L 07	h: 16, b: 15, L: 180, f: 11, Dmin: 20					
S16Q SDQCR/L 11	h: 16, b: 15, L: 180, f: 11, Dmin: 20	DCM. 11..	BSSV 3511	-	-	T 15
S20R SDQCR/L 11	h: 20, b: 18, L: 190, f: 13, Dmin: 25					
S25R SDQCR/L 11	h: 25, b: 23, L: 200, f: 27, Dmin: 32					
S32T SDQCR/L 11	h: 32, b: 30, L: 300, f: 22, Dmin: 40	DCM. 11..	BSSV 3511	BSA 11 1976	BAV M5	T 15



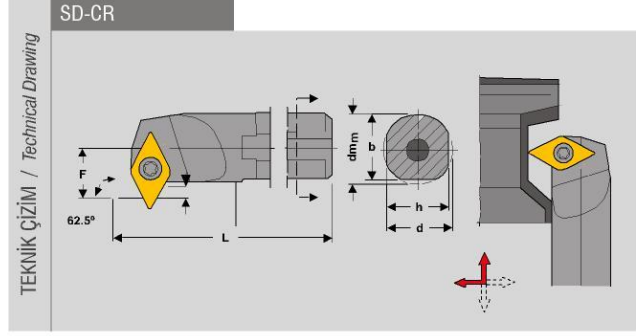


S-SİSTEM DELİK TORNA KATERİ / S System Boring Bars



ÜRÜN RESMİ / Product Picture

\*62,5°



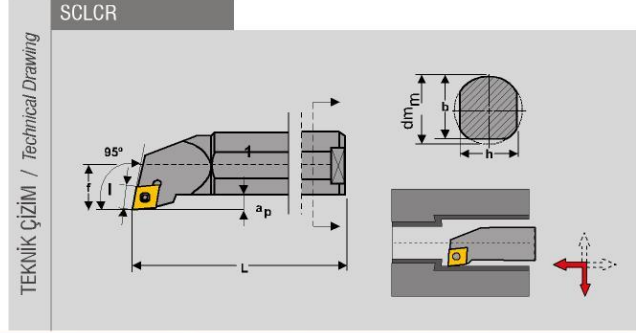
TEKNİK ÇİZİM / Technical Drawing

TAKIM KOD NO / ordering code	KATER ÖLÇÜLERİ dimension (mm)	KESİCİ UÇ insert	YEDEK PARÇALARI / spare parts			
			SIKMA VIDASI clamping screw	ALTUK slam	ALTUK VIDASI slam screw	TORK ANAHTAR torque allen key
S10J SD-CR/L 07	10 9 120 7 13	DCM. 07..	BSSV 256	-	-	T 08
S12K SD-CR/L 07	12 11 125 9 16					
S16Q SD-CR/L 07	16 15 180 11 20	DCM. 11..	BSSV 3511	-	-	T 15
S16Q SD-CR/L 11	16 15 180 11 20					
S20R SD-CR/L 11	20 18 190 13 25	DCM. 11..	BSSV 3511	BSA 11 1976	BAV M5	T 15
S25R SD-CR/L 11	25 23 200 27 32					
S32T SD-CR/L 11	32 30 300 22 40					



ÜRÜN RESMİ / Product Picture

\*95°



TEKNİK ÇİZİM / Technical Drawing

TAKIM KOD NO / ordering code	KATER ÖLÇÜLERİ dimension (mm)	KESİCİ UÇ insert	YEDEK PARÇALARI / spare parts			
			SIKMA VIDASI clamping screw	ALTUK slam	ALTUK VIDASI slam screw	TORK ANAHTAR torque allen key
S06-08H SCLCR/L 06	06-08 7 115 7 13	CCM.06 02..	BSV 256	-	-	T 08
S08H SCLCR/L 06	08 7 115 9 26					
S10J SCLCR/L 06	10 9 120 11 20	CCM. 09 04	BSV 3511	-	-	T 15
S12K SCLCR/L 06	12 11 125 11 20					
S16Q SCLCR/L 09	16 15 180 13 25	CCM. 09 04	BSV 3511	BSA 2835	BAV M5	T 15
S20Q SCLCR/L 09	20 18 190 17 32					
S25R SCLCR/L 09	25 23 200 22 40					

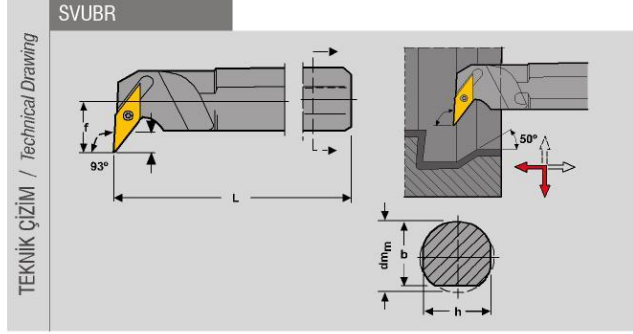
www.timaxip.com | www.bahcivanmekine.com

TIMAXIP

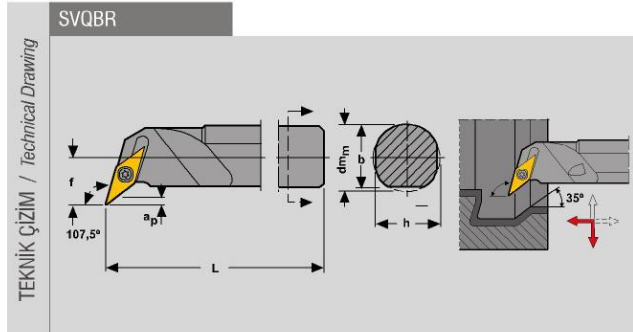
26







TAKIM KOD NO / ordering code		KATER ÖLÇÜLERİ dimension (mm)					KESİCİ UÇ insert	YEDEK PARÇALARI / spare parts			
		h	b	L	f	Dmin		SIKMA VIDASI clamping screw	ALTLIK shim	ALTLIK VIDASI shim screw	TORK ANAHTAR torque allen key
S16Q	SVUBR/L 11	16	15	180	11	20	VBM. 11 03..	BSV 256			T 08
S20Q	SVUBR/L 11	20	18	190	13	25					
S25R	SVUBR/L 16	25	23	200	17	32	VBM. 16 04..	BSV 3511	BSA 1974	BAV M5	T 15
S32T	SVUBR/L 16	32	30	300	22	40					
S40V	SVUBR/L 16	40	37	350	27	50					



TAKIM KOD NO / ordering code		KATER ÖLÇÜLERİ dimension (mm)					KESİCİ UÇ insert	YEDEK PARÇALARI / spare parts			
		h	b	L	f	Dmin		SIKMA VIDASI clamping screw	ALTLIK shim	ALTLIK VIDASI shim screw	TORK ANAHTAR torque allen key
S16Q	SVQBR/L 11	16	15	180	11	20	VBM. 11 03..	BSV 256			T 08
S20Q	SVQBR/L 11	20	18	190	13	25					
S25R	SVQBR/L 16	25	23	200	17	32	VBM. 16 04..	BSV 3511	BSA 1974	BAV M5	T 15
S32T	SVQBR/L 16	32	30	300	22	40					
S40V	SVQBR/L 16	40	37	350	27	50					



## S-SİSTEM DELİK TORNA KATERİ / S System Boring Bars

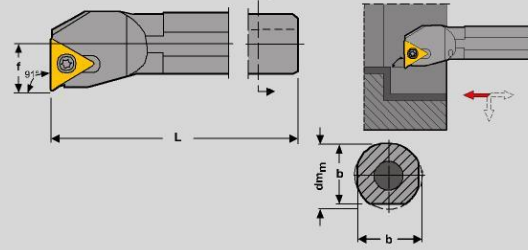
ÜRÜN RESMİ / Product Picture



\*91°

### STFCR

TEKNİK ÇİZİM / Technical Drawing



TAKIM KOD NO / ordering code



### KATER ÖLÇÜLERİ dimension (mm)

h	b	L	f	Dmin
12	11	125	9	16
16	15	180	10	20
20	18	190	13	25
25	23	200	17	32

### KESİCİ UÇ insert



TCM. 11..

TCM. 16..

### YEDEK PARÇALARI / spare parts

SIKMA VIDASI clamping screw	ALTUK slam	ALTUK VIDASI slam screw	TORK ANAHTAR torque allen key
BSV 256	-	-	T 08
BSV 3511	-	-	T 15

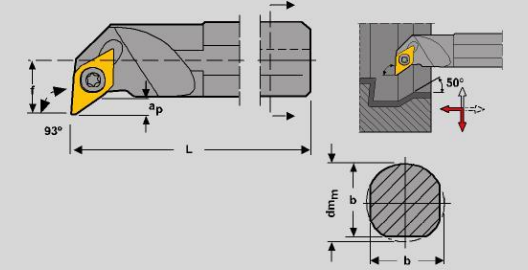
ÜRÜN RESMİ / Product Picture



\*93°

### SVUCR

TEKNİK ÇİZİM / Technical Drawing



TAKIM KOD NO / ordering code



### KATER ÖLÇÜLERİ dimension (mm)

h	b	L	f	Dmin
20	18	190	13	25
25	23	200	17	32
32	30	300	22	40
40	37	350	27	50

### KESİCİ UÇ insert



VCM. 16 04

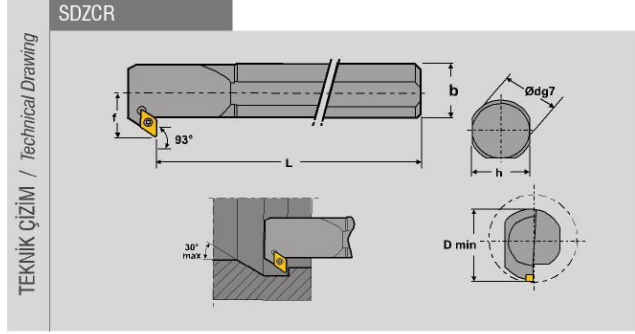
### YEDEK PARÇALARI / spare parts

SIKMA VIDASI clamping screw	ALTUK slam	ALTUK VIDASI slam screw	TORK ANAHTAR torque allen key
BSV 3511	BSV 1975	BAV M5	T 15

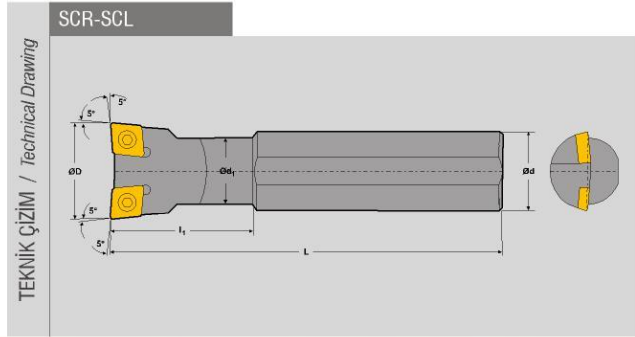
TIMAXIP

28

www.timaxip.com | www.bahcivanmekine.com



TAKIM KOD NO / ordering code	KATER ÖLÇÜLERİ dimension (mm)					KESİCİ UÇ insert	YEDEK PARÇALARI / spare parts			
	h	b	L	f	Dmin		SIKMA VIDASI clamping screw	ALTLIK shim	ALTLIK VIDASI shim screw	TORK ANAHTAR torque allen key
S12K SDZCR/L 07	12	11	125	9	16	DCM. 07..	BSV 256	-	-	T 08
S16Q SDZCR/L 07	16	15	180	11	20					
S16Q SDZCR/L 11	16	15	180	11	20					
S20Q SDZCR/L 11	20	18	190	13	25	DCM. 11..	BSV 3511	-	-	T 15
S25R SDZCR/L 11	25	23	200	27	32					
S32T SDZCR/L 11	32	30	300	22	40	DCM. 11..	BSV 3511	BSA 11 1976	BAV M5	T 15



TAKIM KOD NO / ordering code	KATER ÖLÇÜLERİ dimension (mm)					KESİCİ UÇ insert	YEDEK PARÇALARI / spare parts			
	h	b	L	f	Dmin		SIKMA VIDASI clamping screw	ALTLIK shim	ALTLIK VIDASI shim screw	TORK ANAHTAR torque allen key
S25S SCR-SCL 09-09	25	23	200	22	x	CCM. 09 04	BSV 3511	-	-	T 15
S32T SCR-SCL 09-09	32	30	300	27	x					



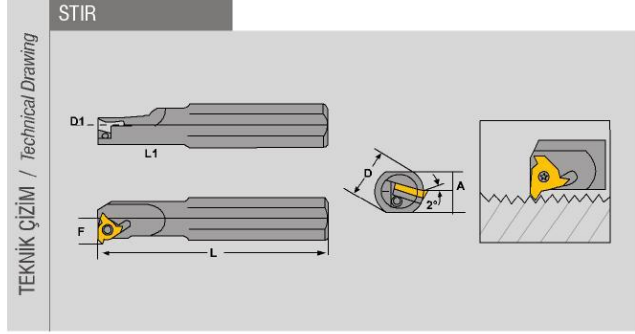
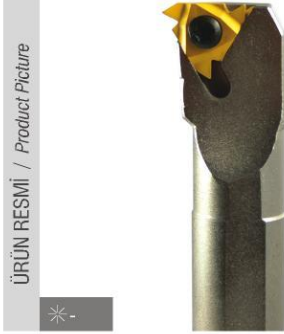


**İÇ ÇAP VİDA TAKIMLARI**  
INTERNAL THREADING TOOLHOLDERS  
**DIŞ ÇAP VİDA TAKIMLARI**  
EXTERNAL THREADING TOOLHOLDERS  
**DIŞ ÇAP KANAL TAKIMLARI**  
EXTERNAL GROOVING TOOLHOLDERS  
**İÇ ÇAP KANAL TAKIMLARI**  
INTERNAL GROOVING TOOLHOLDERS

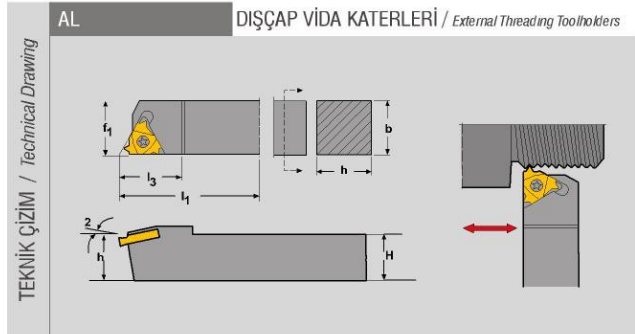
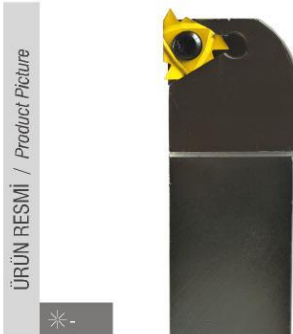


**TIMAXIP**

[www.timaxip.com](http://www.timaxip.com)  
[www.bahcivanmakine.com](http://www.bahcivanmakine.com)



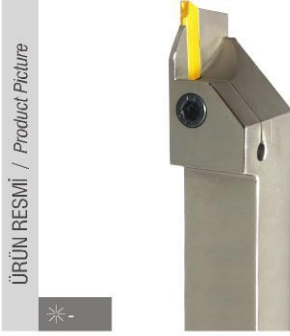
TAKIM KOD NO / ordering code	KATER ÖLÇÜLERİ dimension (mm)					KESİCİ UÇ insert	YEDEK PARÇALARI / spare parts			
	h	b	L	f	Dmin		SIKMA VIDASI clamping screw	ALTLIK shim	ALTLIK VIDASI shim screw	TORK ANAHTAR torque allen key
STIR 12-2	12	11	125	9	16	IR.11	BSV 256	-	-	T 08
STIR 16-3	16	15	180	11	20	IR.16	BSV 3511	-	-	T 15
STIR 20-3	20	18	190	13	25	IR.16	BSV 3511	BSA 8378	BAV M5	T 15
STIR 25-3	25	23	200	17	32	IR.16	BSV 3511	BSA 8378	BAV M5	T 15
STIR 32-3	32	30	300	22	40	IR.16	BSV 3511	BSA 8378	BAV M5	T 15
STIR 25-4	25	23	200	17	32	IR.22	BSV 5011	-	-	T 20
STIR 32-4	32	30	300	22	40	IR.22	BSV 5011	-	-	T 20



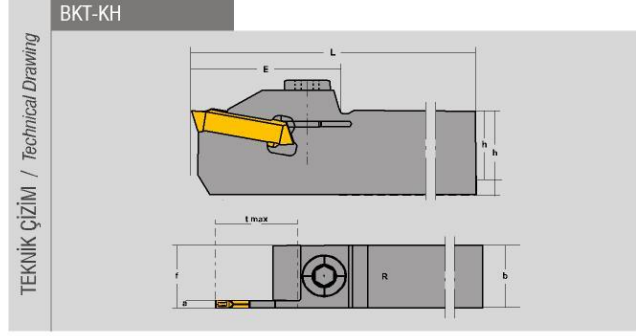
TAKIM KOD NO / ordering code	KATER ÖLÇÜLERİ dimension (mm)				KESİCİ UÇ insert	YEDEK PARÇALARI / spare parts			
	h	b	L	f		SIKMA VIDASI clamping screw	ALTLIK shim	ALTLIK VIDASI shim screw	TORK ANAHTAR torque allen key
AL 20-3C	20	20	125	20	ER.16	BSSV 256	BSA 8378	BAV M5	T 15
AL 25-3C	25	25	150	26	ER.16	BSSV 256	BSA 8378	BAV M5	T 15
AL 32-3C	32	32	170	33	ER.16	BSSV 256	BSA 8378	BAV M5	T 15
AL 25-4C	25	25	150	26	ER.22	BSSV 5011	-	-	T 20
AL 32-4C	32	32	170	33	ER.22	BSSV 5011	-	-	T 20



DIŞ ÇAP VIDA TAKIMLARI / External Threading Toolholders



ÜRÜN RESMİ / Product Picture

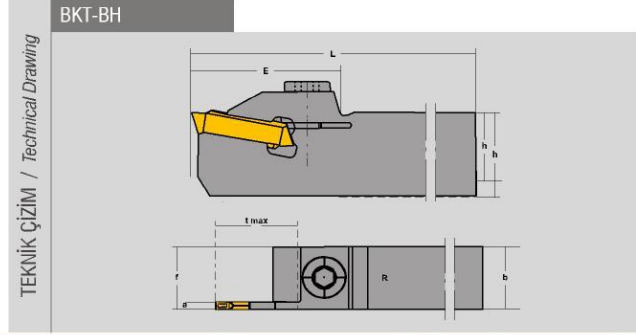


TEKNİK ÇİZİM / Technical Drawing

TAKIM KOD NO / ordering code	KATER ÖLÇÜLERİ / dimension (mm)	KESİCİ UÇ insert	YEDEK PARÇALARI / spare parts	
			BASKI VIDASI screw	ANAHTAR allen key
BKT KH 2020 2C	h: 20, b: 20, L: 125, f: 20, E: 37, A: 1,8, Tmax: 17	2C	BBV M6	AA 5
BKT KH 2525 2C	h: 25, b: 25, L: 150, f: 25, E: 37, A: 1,8, Tmax: 17	2C	BBV M6	AA 5
BKT KH 2020 3C	h: 20, b: 20, L: 125, f: 20, E: 39, A: 2,5, Tmax: 20	3C	BBV M6	AA 5
BKT KH 2525 3C	h: 25, b: 25, L: 150, f: 25, E: 39, A: 2,5, Tmax: 20	3C	BBV M6	AA 5
BKT KH 2020 4C	h: 20, b: 20, L: 125, f: 20, E: 45, A: 3, Tmax: 25	4C	BBV M6	AA 5
BKT KH 2525 4C	h: 25, b: 25, L: 150, f: 25, E: 45, A: 3, Tmax: 25	4C	BBV M6	AA 5
BKT KH 2020 5C	h: 20, b: 20, L: 125, f: 20, E: 45, A: 4, Tmax: 25	5C	BBV M6	AA 5
BKT KH 2525 5C	h: 25, b: 25, L: 150, f: 25, E: 56, A: 4,2, Tmax: 25	5C	BBV M6	AA 5



ÜRÜN RESMİ / Product Picture



TEKNİK ÇİZİM / Technical Drawing

TAKIM KOD NO / ordering code	KATER ÖLÇÜLERİ / dimension (mm)	KESİCİ UÇ insert	YEDEK PARÇALARI / spare parts	
			BASKI VIDASI screw	ANAHTAR allen key
BKT BH 2020 2C	h: 20, b: 20, L: 125, f: 20, E: 56, A: 1,8, Tmax: 30	2C	BBV M6	AA 5
BKT BH 2525 2C	h: 25, b: 25, L: 150, f: 25, E: 56, A: 1,8, Tmax: 30	2C	BBV M6	AA 5
BKT BH 2020 3C	h: 20, b: 20, L: 125, f: 20, E: 56, A: 2,5, Tmax: 32	3C	BBV M6	AA 5
BKT BH 2525 3C	h: 25, b: 25, L: 150, f: 25, E: 56, A: 2,5, Tmax: 32	3C	BBV M6	AA 5
BKT BH 2020 4C	h: 20, b: 20, L: 125, f: 20, E: 56, A: 3,5, Tmax: 32	4C	BBV M6	AA 5
BKT BH 2525 4C	h: 25, b: 25, L: 150, f: 25, E: 56, A: 3,5, Tmax: 32	4C	BBV M6	AA 5
BKT BH 2525 5C	h: 25, b: 25, L: 150, f: 25, E: 56, A: 4,5, Tmax: 33	5C	BBV M6	AA 5
BKT BH 2525 6C	h: 25, b: 25, L: 150, f: 25, E: 56, A: 5,5, Tmax: 34	6C	BBV M6	AA 5

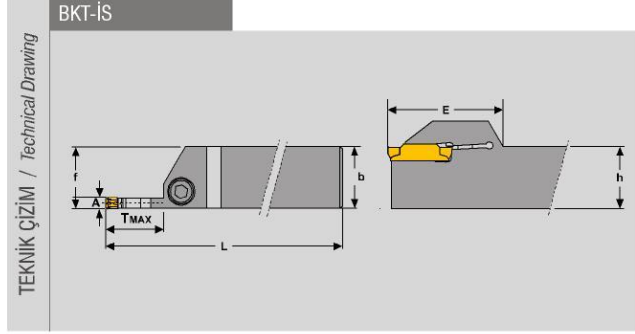
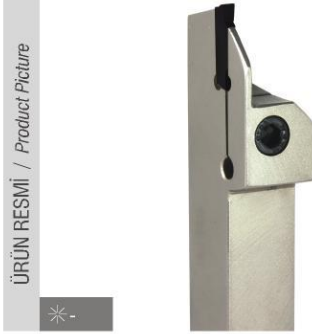
www.timaxip.com | www.bahcivanmekine.com

TIMAXIP

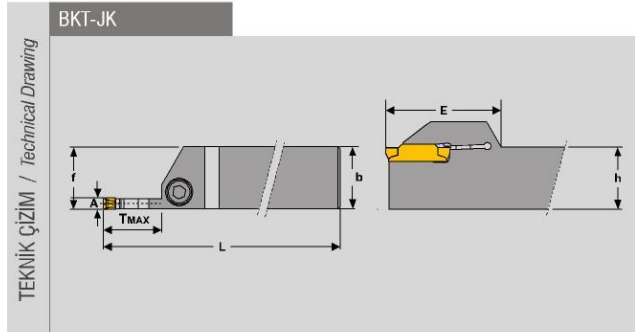
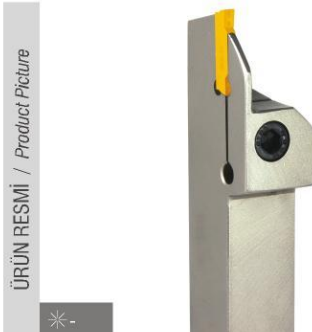
32







TAKIM KOD NO / ordering code	KATER ÖLÇÜLERİ / dimension (mm)							KESİCİ UÇ insert	YEDEK PARÇALARI / spare parts	
	h	b	L	f	E	A	Tmax		BASKI VİDASI screw	ANAHTAR allen key
BKT IS 2020 2C	20	20	125	20	37	1,8	17	2C	BBV M6	AA 5
BKT IS 2525 2C	25	25	150	25	37	1,8	17			
BKT IS 2020 3C	20	20	125	20	39	2,5	20	3C	BBV M6	AA 5
BKT IS 2525 3C	25	25	150	25	39	2,5	20			
BKT IS 2020 4C	20	20	125	20	45	3	20	4C	BBV M6	AA 5
BKT IS 2525 4C	25	25	150	25	45	3	20			
BKT IS 2525 5C	25	25	150	25	56	4,2	22	5C	BBV M6	AA 5



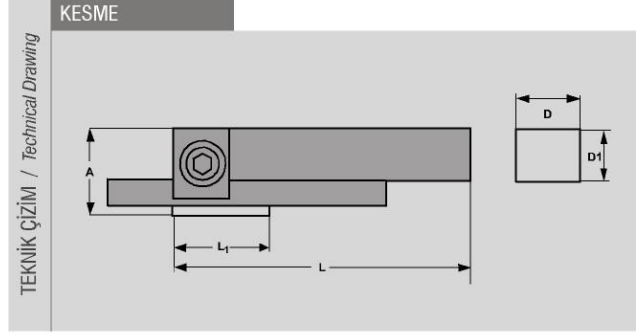
TAKIM KOD NO / ordering code	KATER ÖLÇÜLERİ / dimension (mm)							KESİCİ UÇ insert	YEDEK PARÇALARI / spare parts	
	h	b	L	f	E	A	Tmax		BASKI VİDASI screw	ANAHTAR allen key
BKT JK 1616 2C	16	16	100	16	37	1,8	17	2C	BBV M6	AA 5
BKT JK 2020 2C	20	20	125	20	37	1,8	17			
BKT JK 2525 2C	25	25	150	25	39	2,5	20	3C	BBV M6	AA 5
BKT JK 2020 3C	20	20	125	20	39	2,5	20			
BKT JK 2525 3C	25	25	150	25	45	3	25	4C	BBV M6	AA 5
BKT JK 2020 4C	20	20	125	20	45	3	25			
BKT JK 2525 4C	25	25	150	25	45	4	25	5C	BBV M6	AA 5
BKT JK 2020 5C	20	20	125	20	56	4,2	25			
BKT JK 2525 5C	25	25	150	25	56	2,5	30	6C	BBV M6	AA 5
BKT JK 2525 6C	25	25	150	25	56	2,5	30			



KESME - PASO / Cutting - Pass

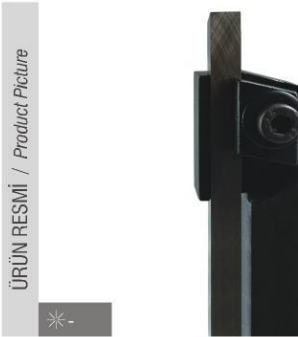


ÜRÜN RESMİ / Product Picture

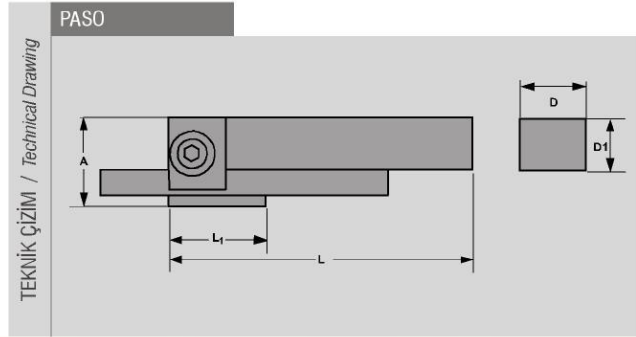


TEKNİK ÇİZİM / Technical Drawing

TAKIM KOD NO / ordering code	KESME	KATER ÖLÇÜLERİ dimension (mm)					KESİCİ UÇ insert	YEDEK PARÇALARI / spare parts	
		A	D	D1	L	L1		BAĞLAMA CİVATASI clamping screw	ANAHTAR Allen key
	KESME 1/2	26	22	16	130	50	12.7X3-4	BBV M8	AA 6
	KESME 5/8	32	22	16	130	50	15.8X3-4		
	KESME 3/4	36	25	18	150	50	19X3-4.5		
	KESME 7/8	38	25	18	150	50	22X4-5		
	KESME 1	45	25	18	150	50	25X4-5	BBV M8	AA 6



ÜRÜN RESMİ / Product Picture



TEKNİK ÇİZİM / Technical Drawing

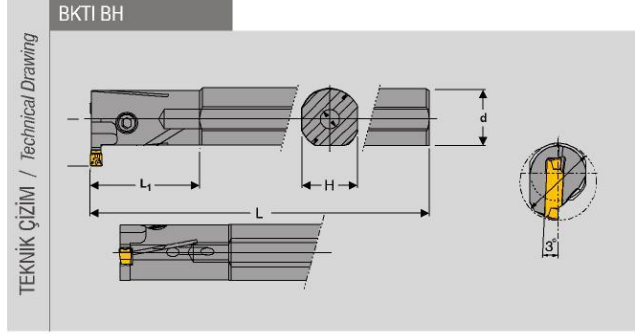
TAKIM KOD NO / ordering code	PASO	KATER ÖLÇÜLERİ dimension (mm)					KESİCİ UÇ insert	YEDEK PARÇALARI / spare parts	
		A°	D	D1	L	L1		BAĞLAMA CİVATASI clamping screw	ANAHTAR Allen key
	PASO 6 x 6	26	22	16	150	50	6X6-8X8		
	PASO 8 x 10	28	22	16	150	50	8X8-10X10		
	PASO 10 x 12	30	22	16	150	50	10X10-12X12	BBV M8	AA 6
	PASO 12 x 14	32	22	16	150	50	12X12-14X14		

www.timaxip.com | www.bahçivanmekine.com

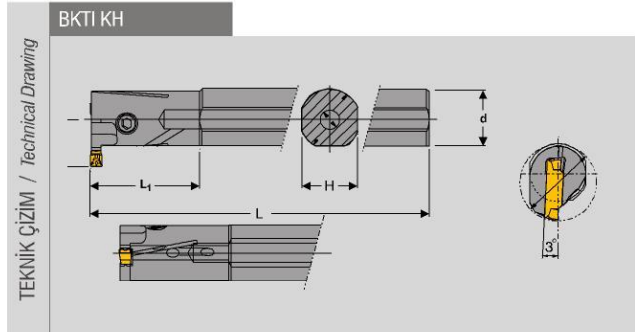
**TIMAXIP**

34





TAKIM KOD NO / ordering code	KATER ÖLÇÜLERİ dimension (mm)					KESİCİ UÇ insert	YEDEK PARÇALARI / spare parts			
	L	L1	d	f	h		BASKI VIDASI SİRKİ	ALTLIK SİMİ	ALTLIK VIDASI SİRKİ SİRKİ	ANAHTAR Allen key
BKTİ BH S25R 3C	200	35	25	17	23	3C	BBV M5	-	-	AA 4
BKTİ BH S32T 3C	300	35	32	22	30					
BKTİ BH S25R 4C	200	35	25	17	23	4C	BBV M5			AA 4
BKTİ BH S32T 4C	400	35	25	17	23					
BKTİ BH S25R 5C	200	35	32	22	30	5C	BBV M5			AA 4
BKTİ BH S32T 5C	300	35	32	22	30					

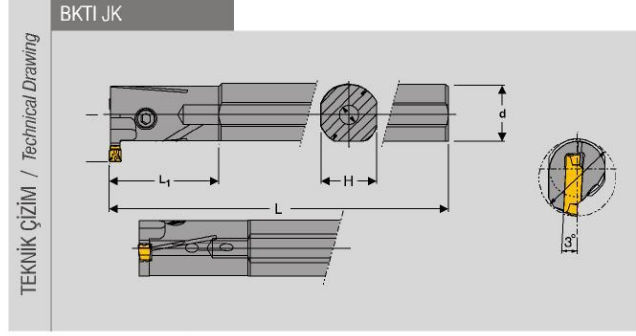


TAKIM KOD NO / ordering code	KATER ÖLÇÜLERİ dimension (mm)					KESİCİ UÇ insert	YEDEK PARÇALARI / spare parts			
	L	L1	d	f	h		BASKI VIDASI SİRKİ	ALTLIK SİMİ	ALTLIK VIDASI SİRKİ SİRKİ	ANAHTAR Allen key
BKTİ KH S16Q 2C	180	35	16	11	14	2C	BBV M5			AA 4
BKTİ KH S20Q 2C	190	35	20	13	18					
BKTİ KH S25R 2C	200	35	25	17	23					
BKTİ KH S20Q 3C	190	35	20	13	18	3C	BBV M5			AA 4
BKTİ KH S25Q 3C	200	35	25	17	23					
BKTİ KH S20Q 4C	190	35	20	13	18	4C	BBV M5			AA 4
BKTİ KH S25R 4C	200	35	25	17	23					
BKTİ KH S25R 5C	200	35	25	17	23	5C	BBV M5			AA 4

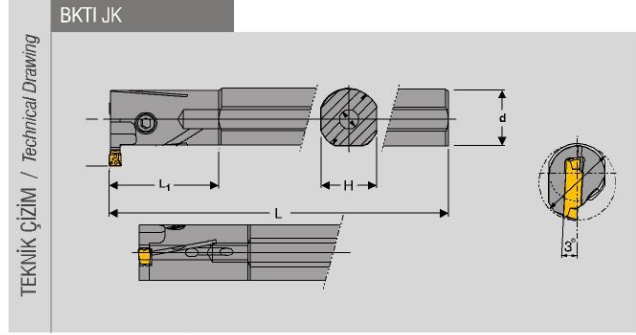




İÇ ÇAP KANAL KATERLERİ / Internal Threading Toolholders



TAKIM KOD NO / ordering code	KATER ÖLÇÜLERİ dimension (mm)	KESİCİ UÇ insert	YEDEK PARÇALARI / spare parts			
			RASKI VIDASI screw	ALTLIK shim	ALTLIK VIDASI shim screw	ANAHTAR allen key
BKTİ JK S16Q 2C	180 35 16 11 14	2C	BBV M5			AA 4
BKTİ JK S20R 2C	190 35 20 13 18					
BKTİ JK S25R 2C	200 35 25 17 23	2C	BBV M5			AA 4
BKTİ JK S20Q 3C	190 35 20 13 18	3C	BBV M5			AA 4



TAKIM KOD NO / ordering code	KATER ÖLÇÜLERİ dimension (mm)	KESİCİ UÇ insert	YEDEK PARÇALARI / spare parts			
			RASKI VIDASI screw	ALTLIK shim	ALTLIK VIDASI shim screw	ANAHTAR allen key
BKTİ JK S25Q 3C	200 35 25 17 23	3C	BBV M5			AA 4
BKTİ JK S20R 4C	190 35 20 13 18	4C	BBV M5			AA 4
BKTİ JK S25R 4C	200 35 25 17 23					
BKTİ JK S25Q 5C	190 35 25 17 23	5C	BBV M5			AA 4

www.timaxip.com | www.bahçivanmekine.com

**TIMAXIP**

36

